

## Mini Can Head

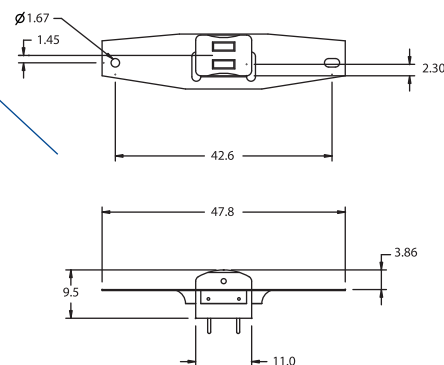


### AIM-201014-01

#### 2-Track Read Head with Gimbal Assembly

##### Specifications

Inductance : 110mH  
D.C. Resistance : 280ohm  
Core Track : 1.4mm  
Core Material : Hard Permalloy

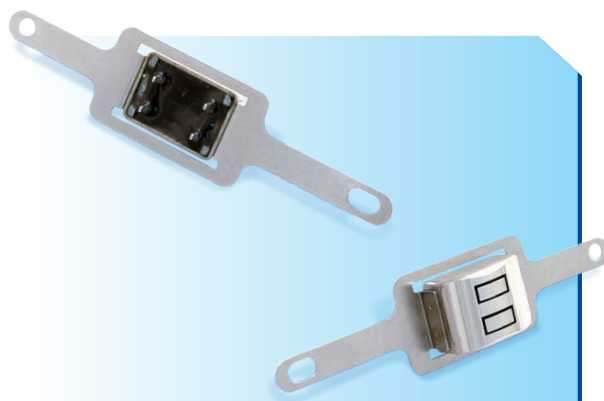
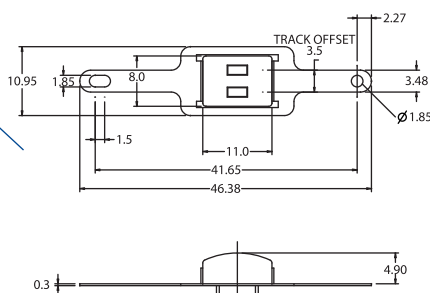


### AIM-201056-01

#### 2-Track Low Profile Read Head with Gimbal Assembly

##### Specifications

Inductance : 110mH  
D.C. Resistance : 220ohm  
Core Track : 1.4mm  
Core Material : Hard Permalloy



### AIM-212001-08

#### 2-Track Read Head with Gimbal Assembly

##### Specifications

Inductance : 110mH  
D.C. Resistance : 280ohm  
Core Track : 1.4mm  
Core Material : Hard Permalloy

