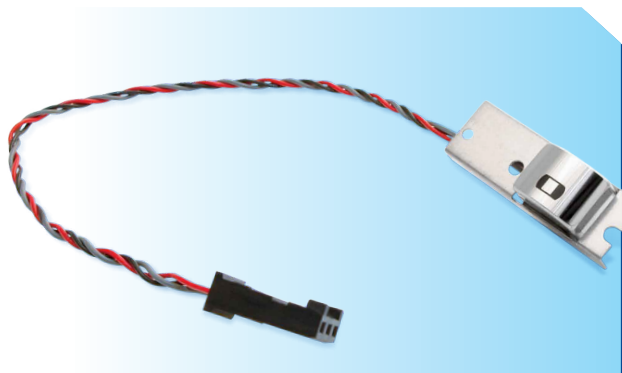


Mini Can Head

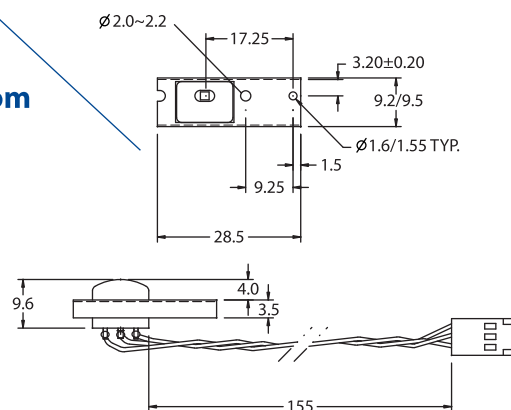


AIM-111212-02

1-Track Read Head with Bracket and Loom Assembly

Specifications

Inductance : 210mH
D.C. Resistance : 230ohm
Core Track : 1.5mm
Core Material : Hard Permalloy



AIM-1112100-01

1-Track Read Head with Bracket and Flex Cable

Specifications

1khz Inductance: 28mH $\pm 25\%$
D.C. Resistance: 120ohm $\pm 20\%$
Gap Length: 12.5um
Core Track (E.T.W.): 1.50mm $+0.20/-0$ mm
Core Material: Hard Permalloy

