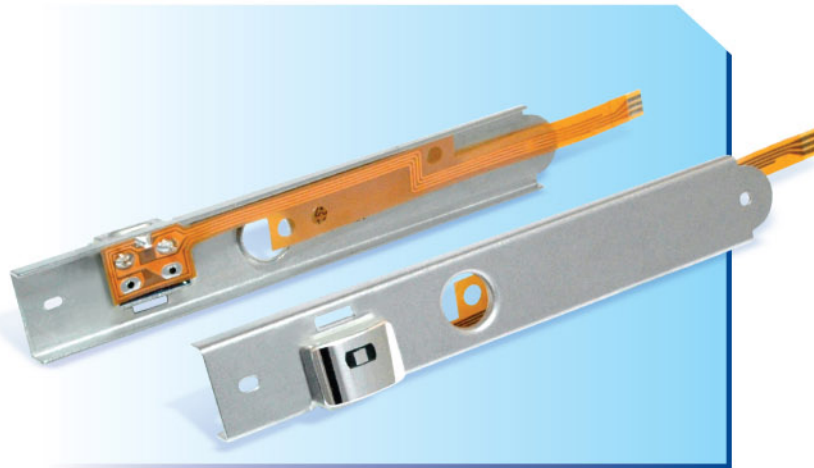


Mini Can Head



AIM-111196-02

1-Track Read Head with Bracket and Loom Assembly

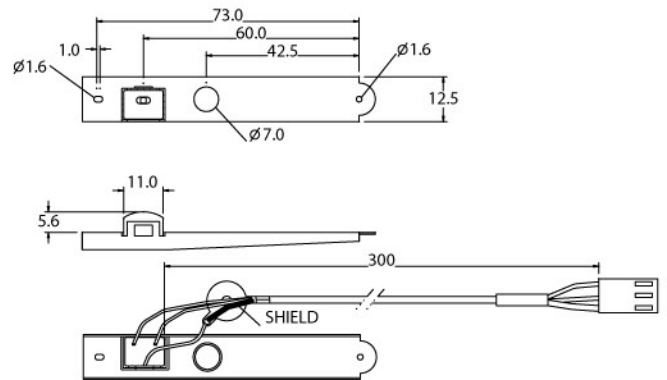
Specifications

Inductance : 28mH

D.C. Resistance : 120ohm

Core Track : 1.5mm

Core Material : Hard Permalloy



AIM-111101-01

1-Track Read Head with Bracket, Spring and Loom Assembly for Electronic Door Lock

Specifications

Inductance : 22mH

D.C. Resistance : 96ohm

Core Track : 1.5mm

Core Material : Permalloy

