

3-Track 5mm Low Profile Head

AIM-300035-01

3-Track Low Profile Read Head

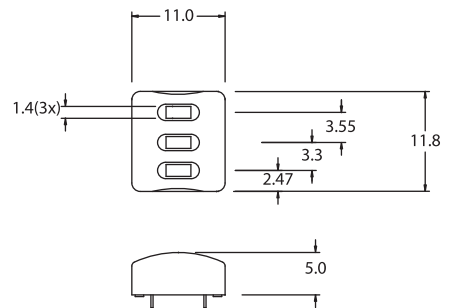
Specifications

Inductance : 110mH

D.C. Resistance : 210ohm

Core Track : 1.4mm

Core Material : Hard Permalloy



AIM-301044-01

3-Track Low Profile Head with Bracket Assembly

Specifications

Inductance : 110mh

D.C. Resistance : 210ohm

Core Track : 1.4mm

Core Material : Hard Permalloy

