



Asean Industrial Materials Ltd.



Certificate No: HK05/00049

Unit 1509, New Tech Plaza, 34 Tai Yau St,
San Po Kong, Kowloon, Hong Kong
Tel : (852) 2602-2779
Fax : (852) 2603-2136
Email : info@aim-hk.com

Mini Can Head

AIM-1110144-01

1-Track Read Head with Gimbal Assembly

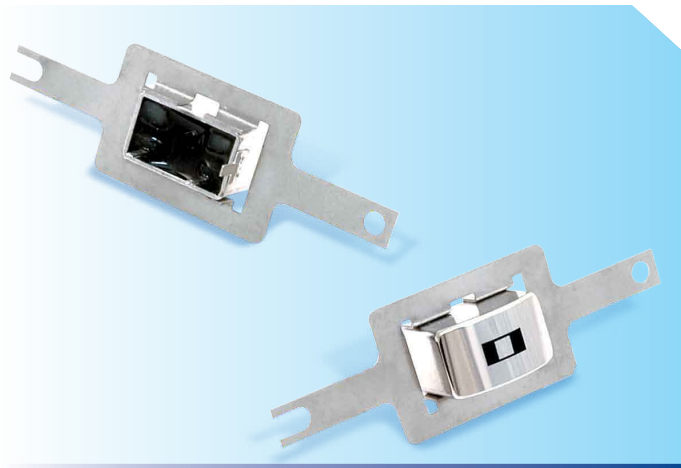
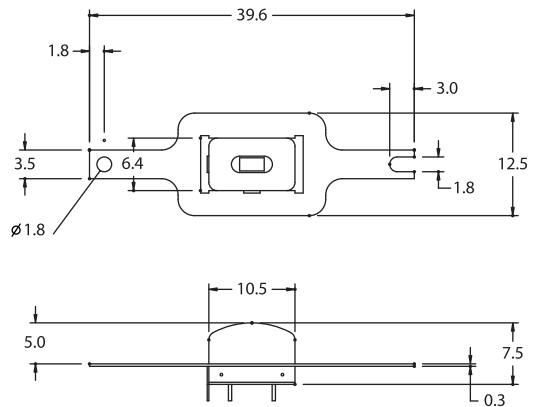
Specifications

Inductance : 28mH

D.C. Resistance : 66ohm

Core Track : 1.6mm

Core Material : Permalloy



AIM-102025-01

1-Track Read Head with Gimbal Assembly

Specifications

Inductance : 210mH

D.C. Resistance : 230ohm

Core Track : 1.5mm

Core Material : Hard Permalloy

