

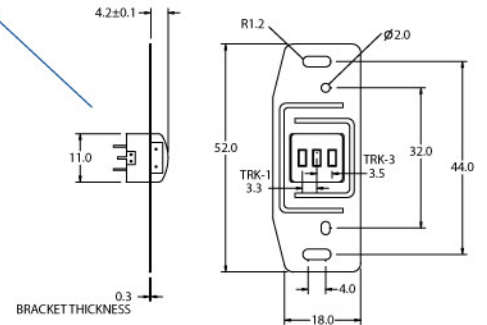
## Mini Can Head



### AIM-311067-01

#### 3-Track Read Head with Bracket Assembly

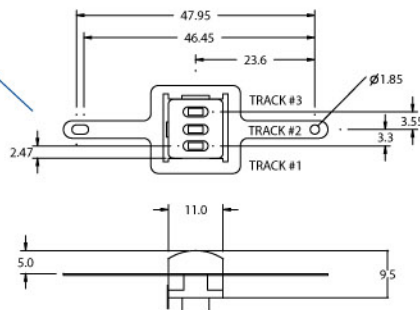
**Specifications**  
Inductance : 110mH  
D.C. Resistance : 280ohm  
Core Track : 1.5mm  
Core Material : Permalloy



### AIM-321650-01

#### 3-Track Read Head with Bracket Assembly

**Specifications**  
Inductance : 110mH  
D.C. Resistance : 280ohm  
Core Track : 1.4mm  
Core Material : Hard Permalloy



### AIM-302011-01

#### 3-Track Read Head with Gimbal Assembly

**Specifications**  
Inductance : 110mH  
D.C. Resistance : 280ohm  
Core Track : 1.4mm  
Core Material : Hard Permalloy

